

- NOTES**
- Do not scale from this drawing. If in doubt ask.
 - Dimensions are in millimetres unless noted otherwise.
 - These drawings shall be read in conjunction with the Architect's drawings.
 - Setting out is to be in accordance with Architect's drawings.
 - Underground drainage:-
New sewer diversion to be in 100mm diameter Hepworth Supersleve or equivalent VC pipes to BS EN 295-1 with 150mm granular bed & surround as shown on detail.
All works to public or adoptable sewers are to be in accordance with Sewers for Adoption - 7th edition
 - Foul drains to fall at minimum 1:40 unless noted otherwise or where invert levels are not indicated.
 - Drains alongside buildings and below formation level to have concrete bed and surround up to formation level.
 - All underground drains to be laid with min. 150mm granular bed and surround, unless noted above. See also bedding detail.
 - Redundant sewer to be removed.

KEY

- SITE BOUNDARY
- FOUL WATER
- DIVERTED FOUL WATER SEWER
- ABANDONED FOUL WATER SEWER
- FOUL WATER OTHER

Foul Water Manhole Schedule

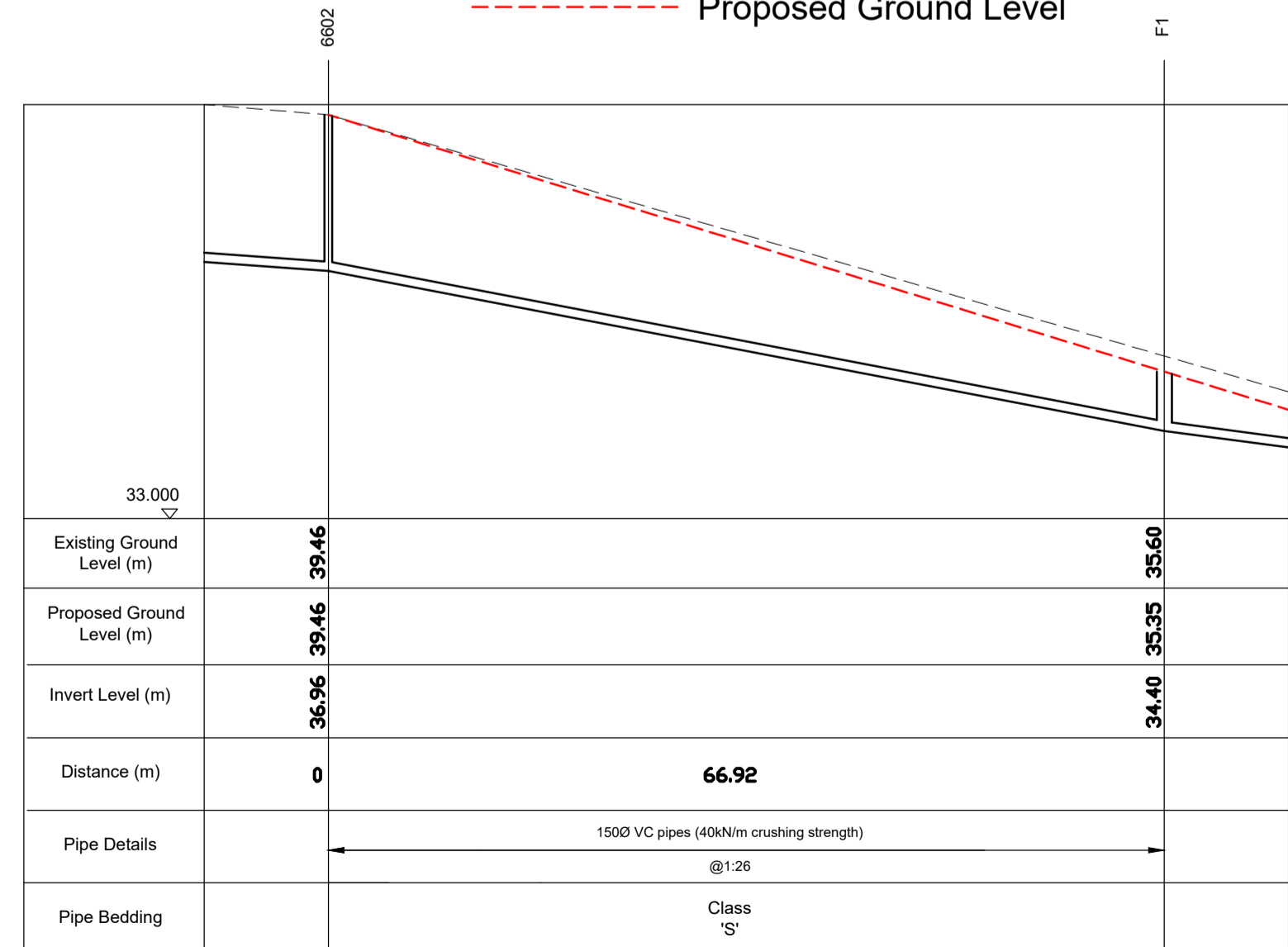
Reference	Chamber Type	Diameter (mm)	Cover Level	Invert Level	Depth to Invert (m)	Depth to Soffit (m)	Nom Pipe Size (mm)	Cover Type
F1	Type 3 - Rigid	450 x 600	35.35	34.40	0.95	0.8	150	D400

Abandoned Pipe Schedule

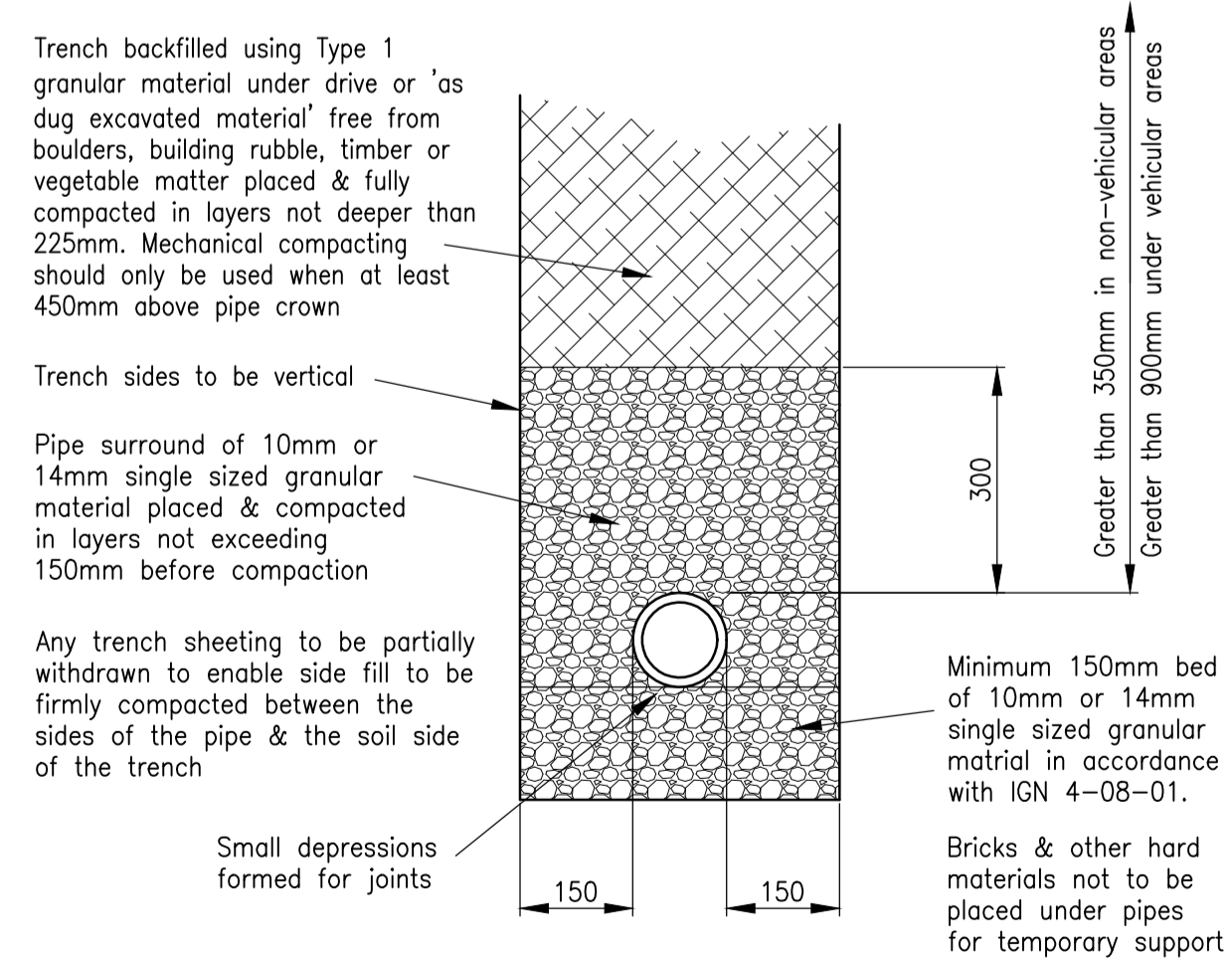
Reference	Length (m)
FOUL WATER	99.50

KEY:

- Existing Ground Level
- Proposed Ground Level



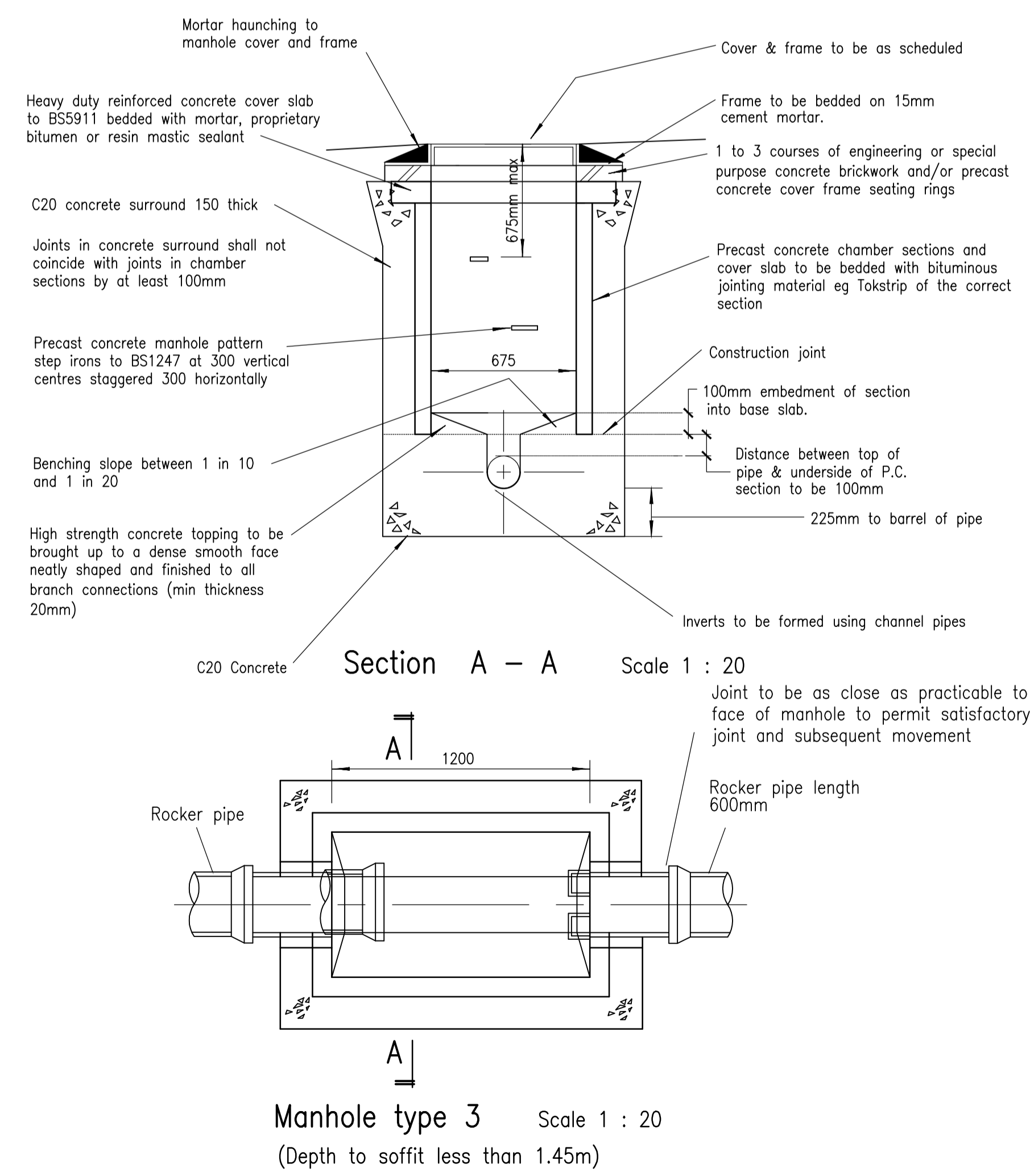
FOUL SEWER RUN 6602 - F1
1:100 V 1:500 H



Vitrified Clay Pipe Bedding scale 1:10

In all non-vehicular areas where more than 350mm cover or where more than 900mm cover in vehicular areas

(All in accordance with Sewers For Adoption - 7th edition)



Preliminary

B	F1 Chamber type amended to Type 3	23/07/18
A	F1 colour amended	30/05/18
-	Preliminary, issued for comments	17/05/18
Rev	Revision note	Date

vkhp-consulting
civil and structural

The Forge, Little Mount Stn., Tunbridge Wells, Kent TN11 1YS
Tel 01892 521841 Fax 01892 533149 E-mail tw@vkhp.co.uk

340 High Street, Dorking, Surrey RH4 1GX
Tel 01306 881012 Fax 01306 881190 E-mail dk@vkhp.co.uk

Greenfield House, 3 The Square, Storrington, West Sussex RH20 4DJ
Tel 01903 740090 E-mail st@vkhp.co.uk

Project: **Hill House**
Bakers Lane, Chartham
Canterbury, CT4 7QB

Title: **Foul Water Connection**

Dim By	Chk By	DRG NO	REV
mmw		301817 / 305	B
Date	Scale		
May 2018	1:200 @ A1		