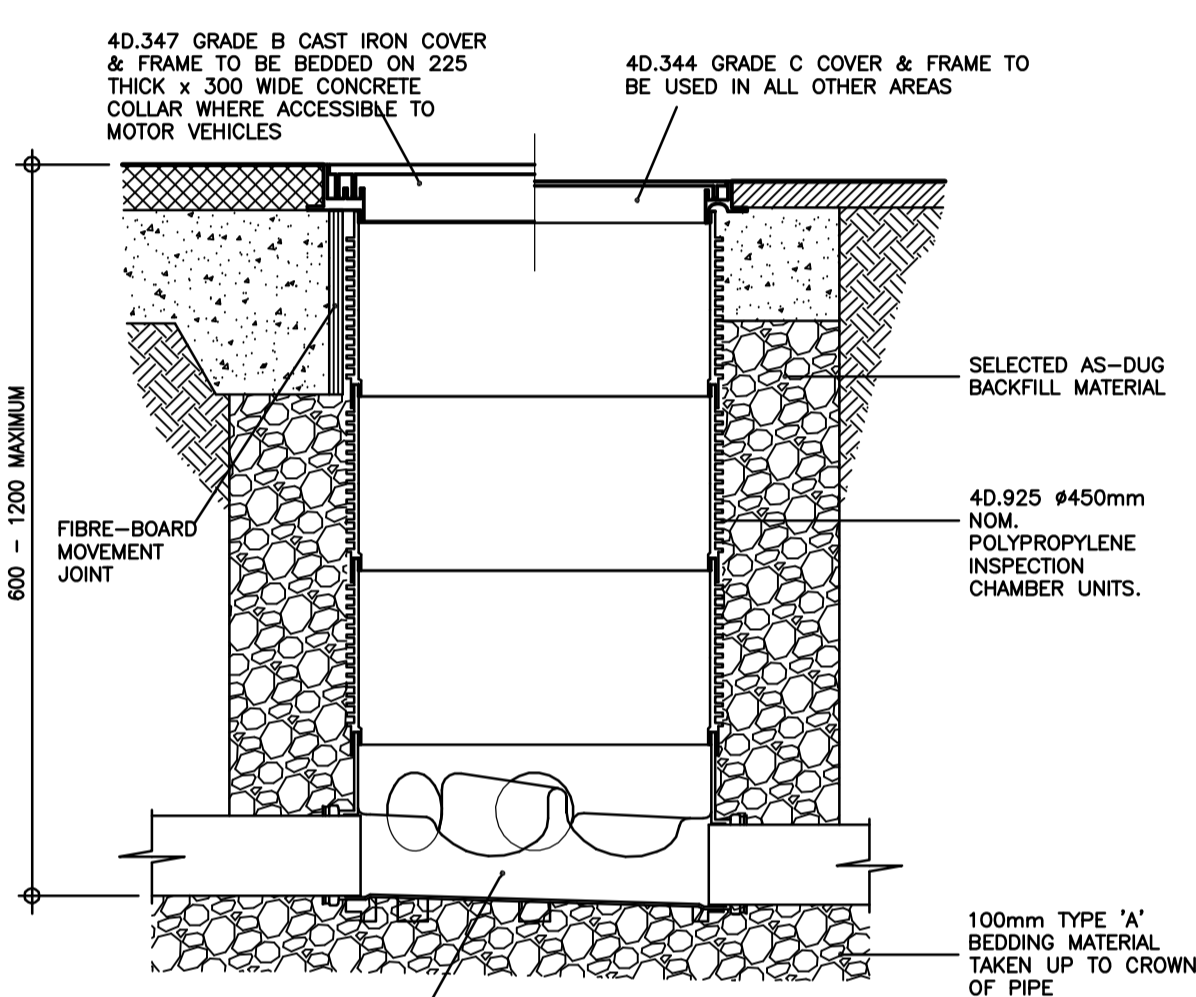
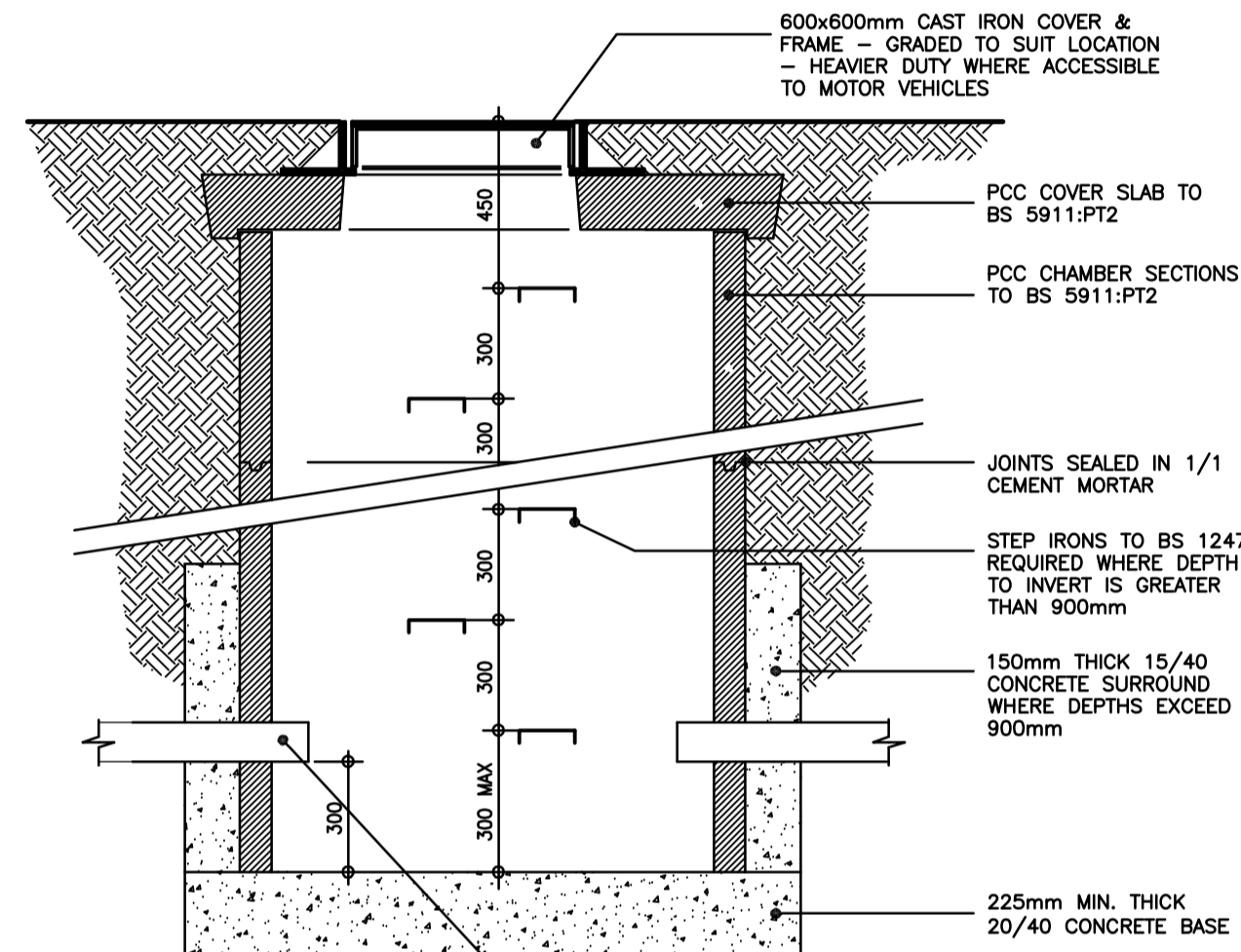


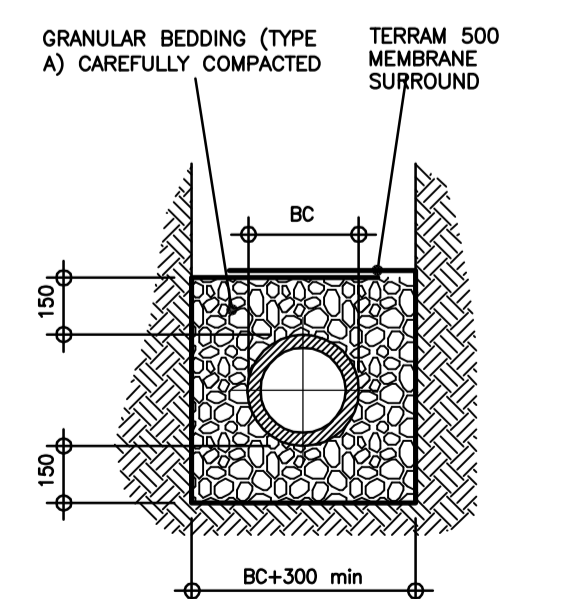
TYPICAL 'AQUACELL' STORAGE TANK (1:10 typical)



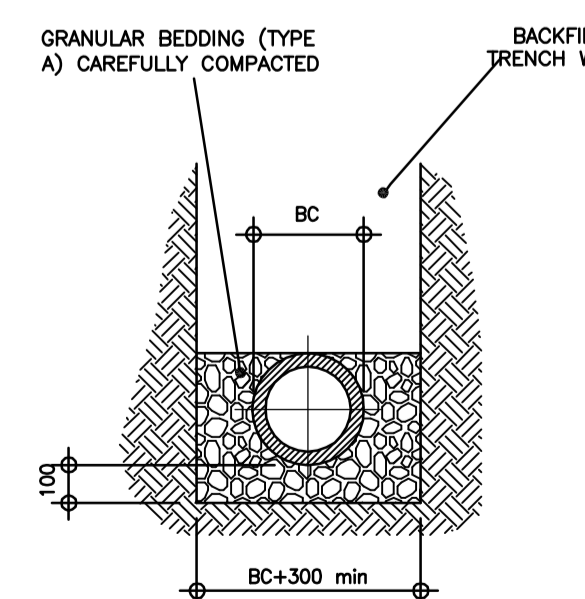
TYPICAL 'BIN' TYPE INSPECTION CHAMBER - TYPE 'Y' (1:10 typical)



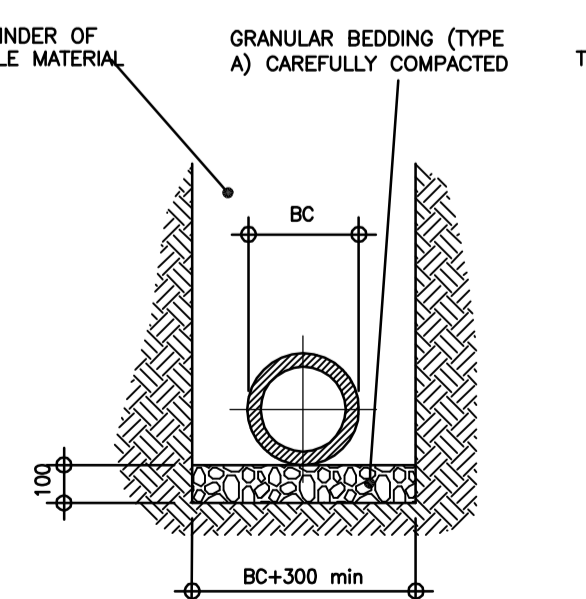
TYPICAL PRECAST CONCRETE CATCHPIT (1:20 typical)



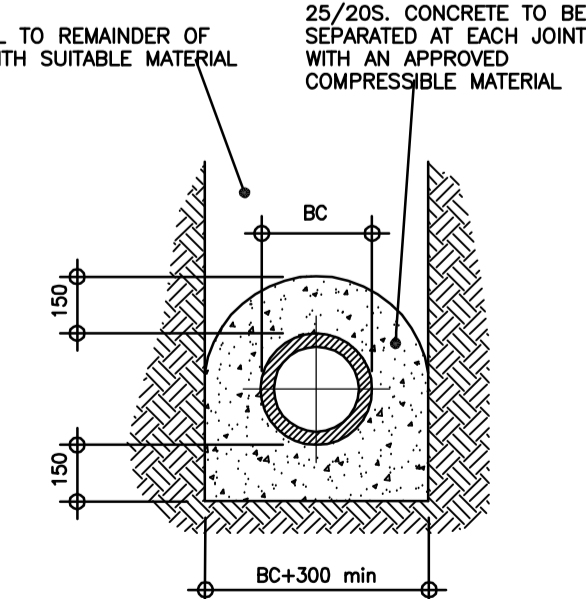
GRANULAR SURROUND



GRANULAR SIDE FILL



GRANULAR BED



CONCRETE SURROUND

GRANULAR BEDDING TYPE A - SHALL CONSIST OF AGGREGATES FROM NATURAL SOURCES OR SINTERED PULVERIZED FUELSH COMPLYING WITH THE RELEVANT PROVISIONS OF BS 882 AND BS 3797 PART 2 RESPECTIVELY. TO BE SIZED ACCORDING TO PIPE DIAMETER TO APPROVED DOCUMENT H OF THE BUILDING REGULATIONS - 5mm TO 10mm SIZE MATERIAL FOR 100mm PIPES, 14mm FOR 150mm PIPES & 20mm FOR PIPES 150-600mm.

PIPE BEDDING DETAILS (Scale 1:20)

Mortar bedding and haunching to cover and frame to Clause E6.7
Minimum 2 courses of Class B engineering bricks or precast concrete cover frame seating rings

Lifting eyes in concrete rings to be pointed

In-situ concrete to be GEN3 (designed to BRE Special Digest 1 Concrete in Aggressive Ground)

High-strength concrete topping to be brought up to a dense, smooth face, neatly shaped and finished to all branch connections (minimum thickness 20 mm)

Construction joint
Self-cleaning toe holes to be provided where channel exceeds 600 mm wide
Inverts to be formed using channel pipes

Joint to be as close as possible to face of manhole to permit satisfactory joint and subsequent movement

Pipe joint with channel to be located minimum 100 mm inside face of manhole

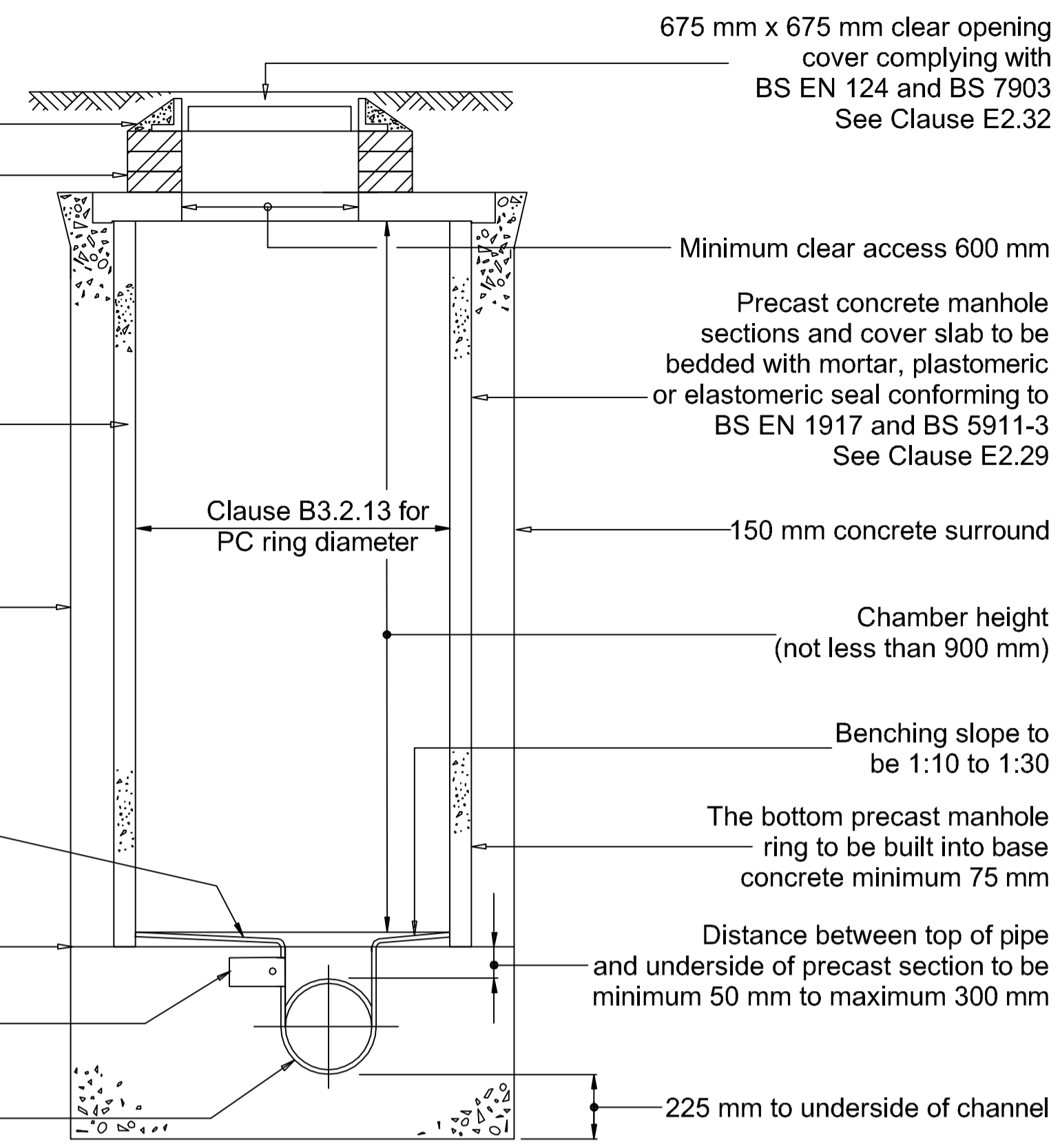


FIGURE B.12 TYPICAL MANHOLE DETAIL - TYPE B
Maximum depth from cover level to soffit of pipe 3.0 m
Not to scale

BS EN 124 COVER TO DUTY D400 WITH 600mm SQUARE CLEAR OPENING AS SAINT GOSAIN 'INTER-AX' SLIDE OUT RANGE BEDDED ON 2-4 COURSES OF ENGINEERING BRICKWORK

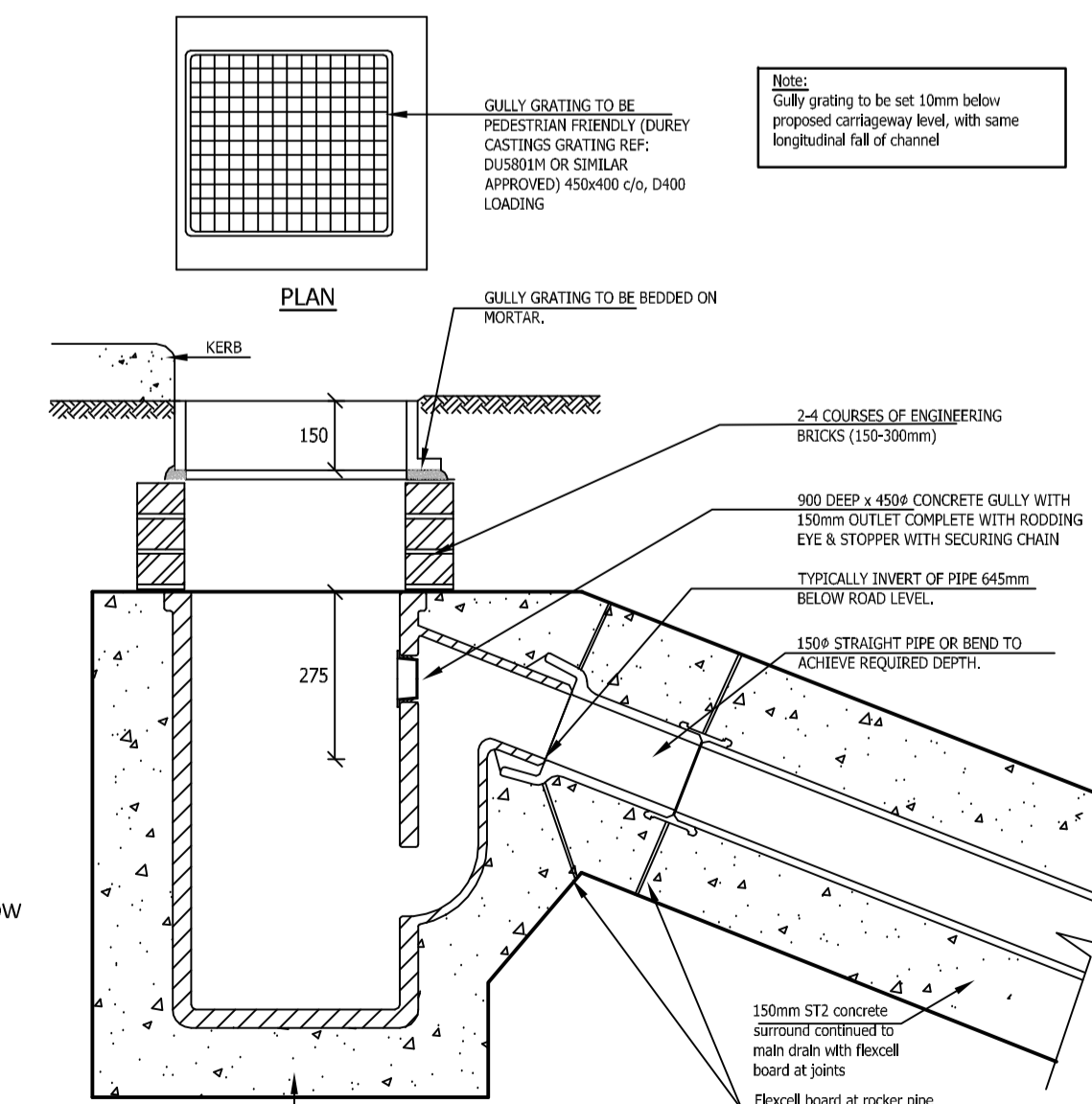
150mm THICK PRECAST CONCRETE MANHOLE OVER SLAB WITH 600mm SQUARE OPENING.

VORTEX FLOW CONTROL BYPASS DOOR ON W/LOM ROPE FIXED TO EYELETS AT TOP AND BOTTOM OF CHAMBER AS MANUFACTURERS RECOMMENDATIONS.
FLOW CONTROL BOLTED TO MANHOLE CHAMBER WALLS WITH HYDROPHILIC SEALANT MADE GOOD AROUND FRAME PRIOR TO BOLTING.

150mm OUTGOING STORM DRAIN

VORTEX FLOW CONTROL DEVICE AS HYDROBRAKE OPTIMUM REFERENCE MD-SHE-006E-2500-1700-2500 TO PASS 2.5 LIT/SEC AT DESIGN HEAD OF 1.7m - CONTRACTOR TO VERIFY SPECIFICATION WITH HYDRO RESEARCH FOR THE ACTUAL HEAD AVAILABLE.

HYDROBRAKE FLOW CONTROL CHAMBER



ROAD GULLY D208.1

- GENERAL NOTES**
- The location, size, depth and identification of existing services that may be shown or referred to on this drawing have been assessed from non intrusive observations, record drawings or the file. The contractor shall safely carry out intrusive investigations, trial holes or soundings prior to commencing work to satisfy himself that it is safe to proceed and that the assessments are accurate. Any discrepancies shall be notified to gta prior to works commencing.
 - Tender or billing drawings shall not be used for construction or the ordering of materials.
 - Do not scale. All dimensions and levels to be site confirmed.
 - This drawing shall be read in conjunction with all relevant architects, consultants drawings and specifications, together with H&S plan requirements.
 - Copyright: This drawing must not be copied, amended nor reproduced without the prior written agreement of gta.
 - All drawings specifications and recommendations made by gta are subject to Local Authority and other relevant Statutory Authorities approval. Any works or services made abortive due to the client proceeding prior to these approvals is considered wholly at the Clients risk. gta hold no responsibility for resulting abortive works or costs.

T1	TENDER ISSUE	08/10/19	CS	MR
Rev	Amendments	Date	Dsn	Chk
Status	TENDER			
Client	Quinn Estates Ltd			
Architect	CLAGUE ARCHITECTS			
Project	HERNE BAY GOLF CLUB THE LINKS, EDDINGTON, HERNE BAY			
Title	DRAINAGE DETAILS			
Date	AUGUST 2019	Scale @ A1	NTS	
Client's Ref	Project Ref.		10071	
 Gloucester House, 66a Church Walk, Burgess Hill, West Sussex, RH15 9AS Tel: 01444 871444 Web: www.gtacivils.co.uk				
Drawing Number	10071-1071			Rev.
				T1