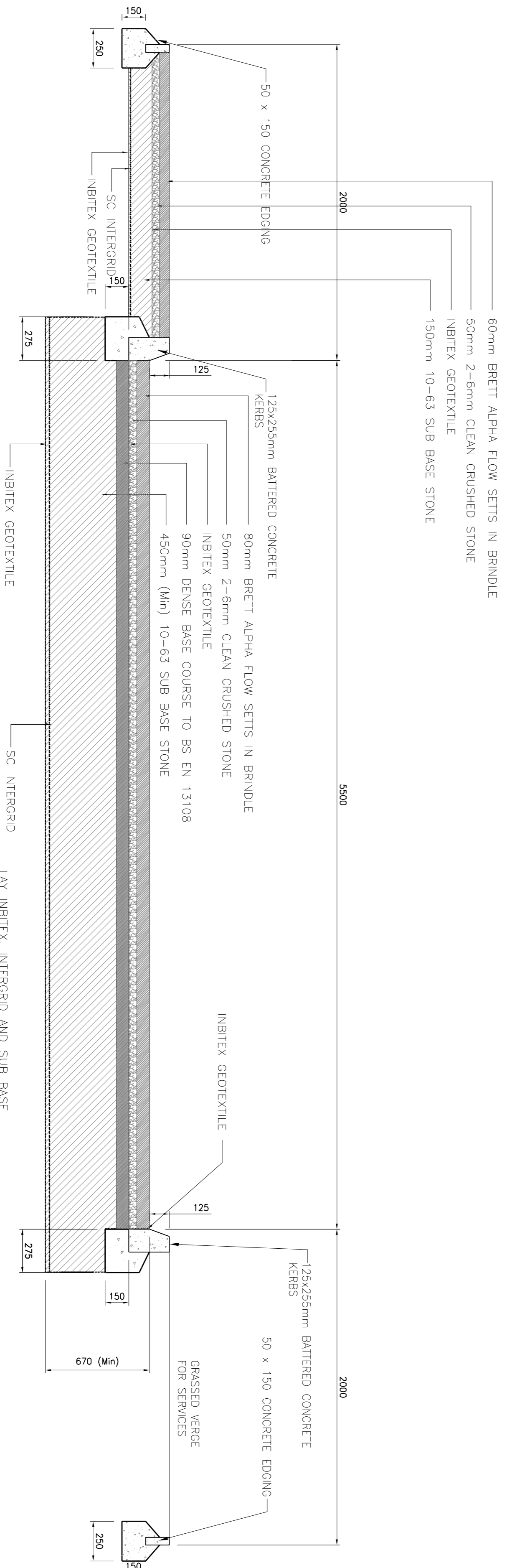
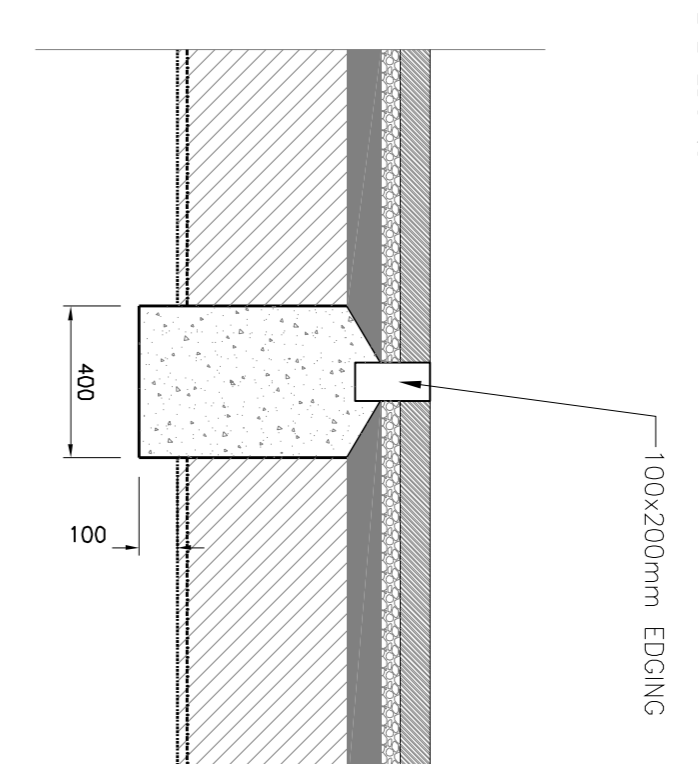


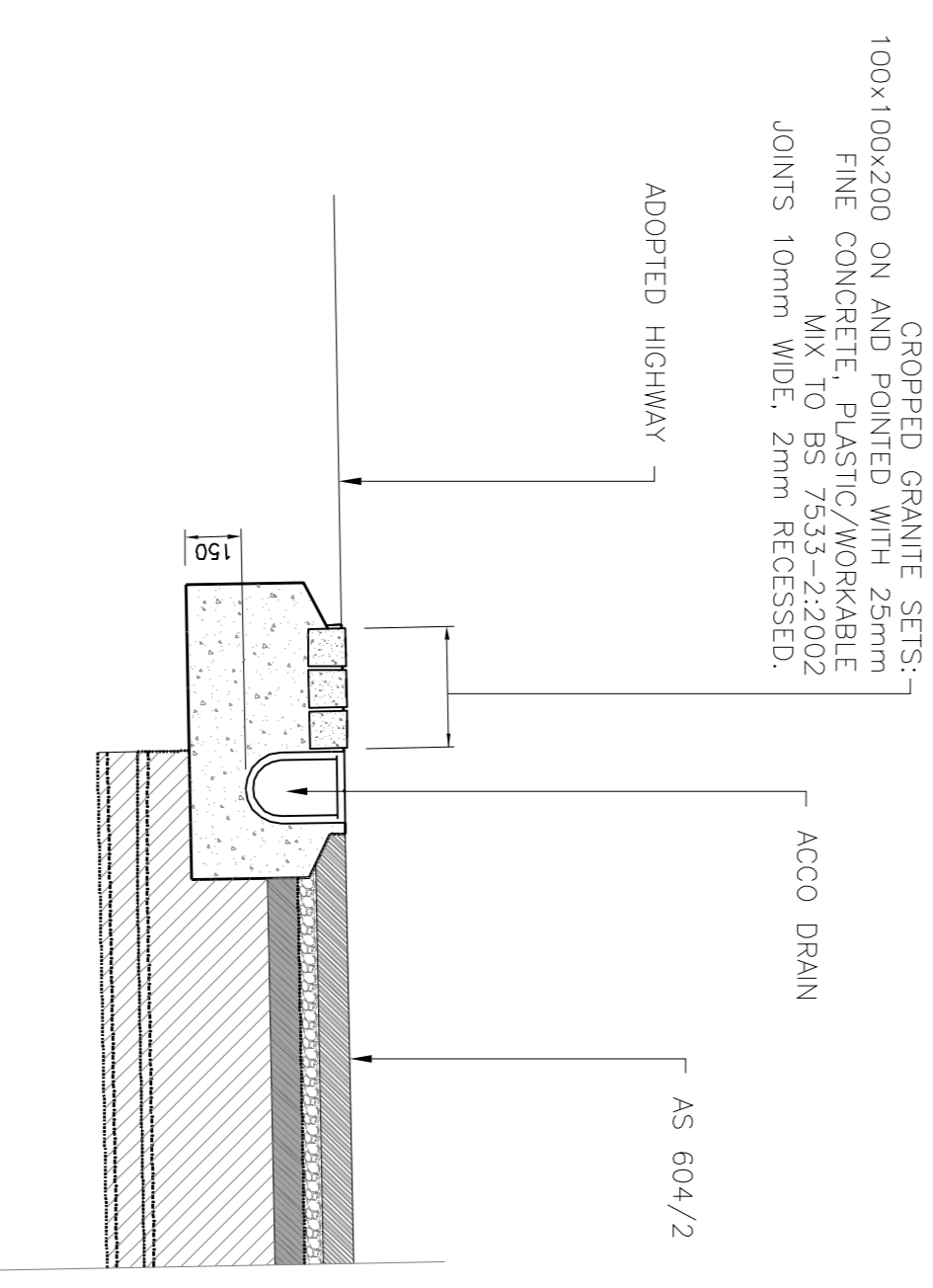
604/1
TYPICAL SECTION THRO' PROPOSED BLOCK PAVED ACCESS ROAD
PERMEABLE PAVING
(SCALE 1:20)

604/2
TYPICAL SECTION THROUGH FULL HEIGHT RESTRAINT
(FHR)
(SCALE 1:20)



604/2
SECTION THRO' PROPOSED BLOCK PAVED ACCESS ROAD BETWEEN ENTRANCE AND 4800 SECTION
PERMEABLE PAVING
(SCALE 1:20)

604/3
SECTION THRO' PROPOSED RUMBLE STRIP
AND ACCO DRAIN AT BOUNDARY OF
ADOPTED HIGHWAY AND ACCESS ROAD
(SCALE 1:20)



© The Copyright of this drawing remains with Millwood Design Homes Limited and is not to be reproduced without written approval. Dimensions of drawings are to be read and interpreted in accordance with the Contract and any amendments thereto. The Contractor shall be responsible for any other standard nomenclature, if it is used, AS2.

Notes:

1. This drawing is to be read in conjunction with all our other drawings, details & specification.
2. This drawing is to be read in conjunction with the Architects drawings and all our drawings numbered 14037 inclusive.
3. Do not scale from this drawing. This drawing is diagrammatic only, so written dimensions should be taken in preference to scaled dimensions. The contractor is to take site dimensions for all items.
4. All existing site levels are assumed to be approximate and are to be confirmed on site.
5. All drainage pipes and fittings to be Malleable PVCU or similar approved, 100mm Ø, UNCO.

Rev	Description	Date	By
P3	Sections updated.	26/09/17	gb
P2	Sections updated.	26/02/15	gb
P1	First Issue	26/02/15	gb

COOK
associates

Architects
Engineers
Surveyors

Interior Designers
Capital House, 3 Jubilee Way,
Faversham, Kent ME13 8GD
Tel: 01795-532834 / 531002
e-mail: mail@cook-design.com
Website: www.cook-design.com

Client:
Millwood Designer Homes Limited

Project:
Polo Farm Sports Club
Littlebourne Road
Canterbury CT3 4AF

Project No.:
14037

Drawing Title:
Highway & Drainage
Details
Sheet 3 of 4

Drawn by:
APJW

Checked by:
GB

Date:
January 2015

Scale @ A1:
1:20

Status:
PRELIMINARY

Drawing No.:
604

Rev. No.:
P3